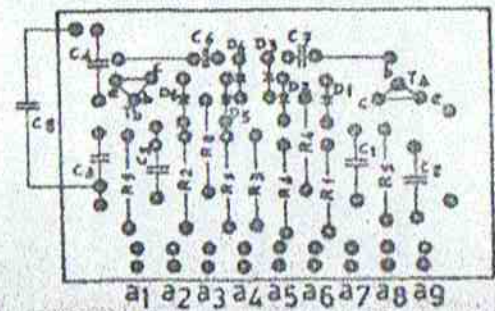
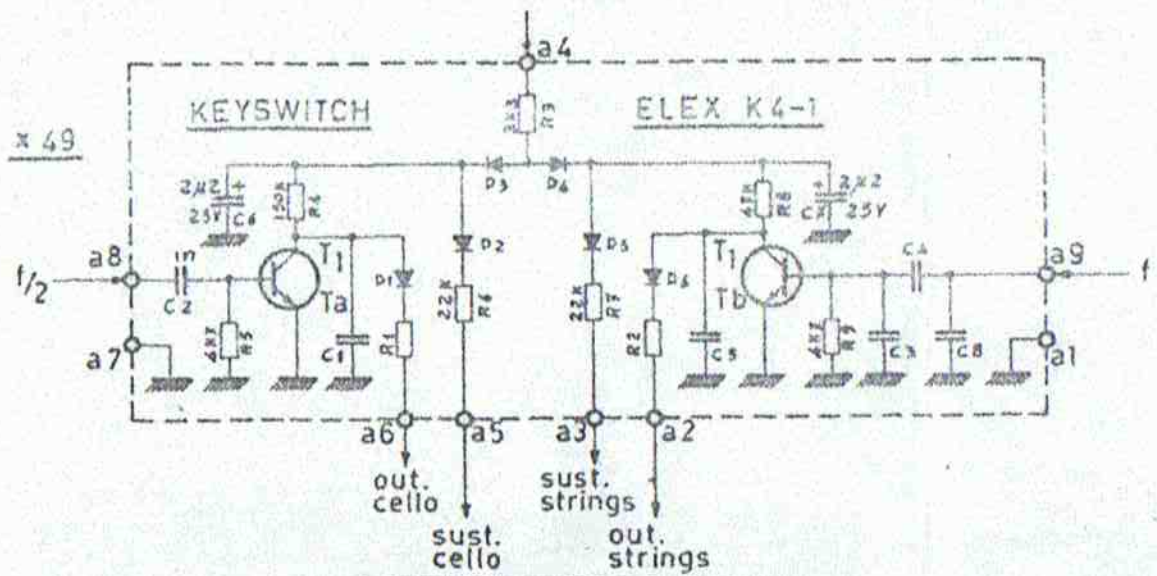
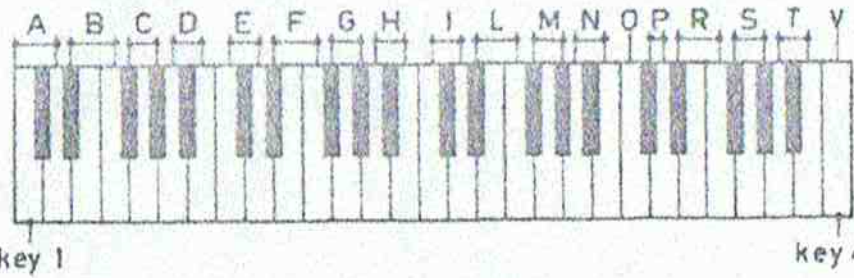
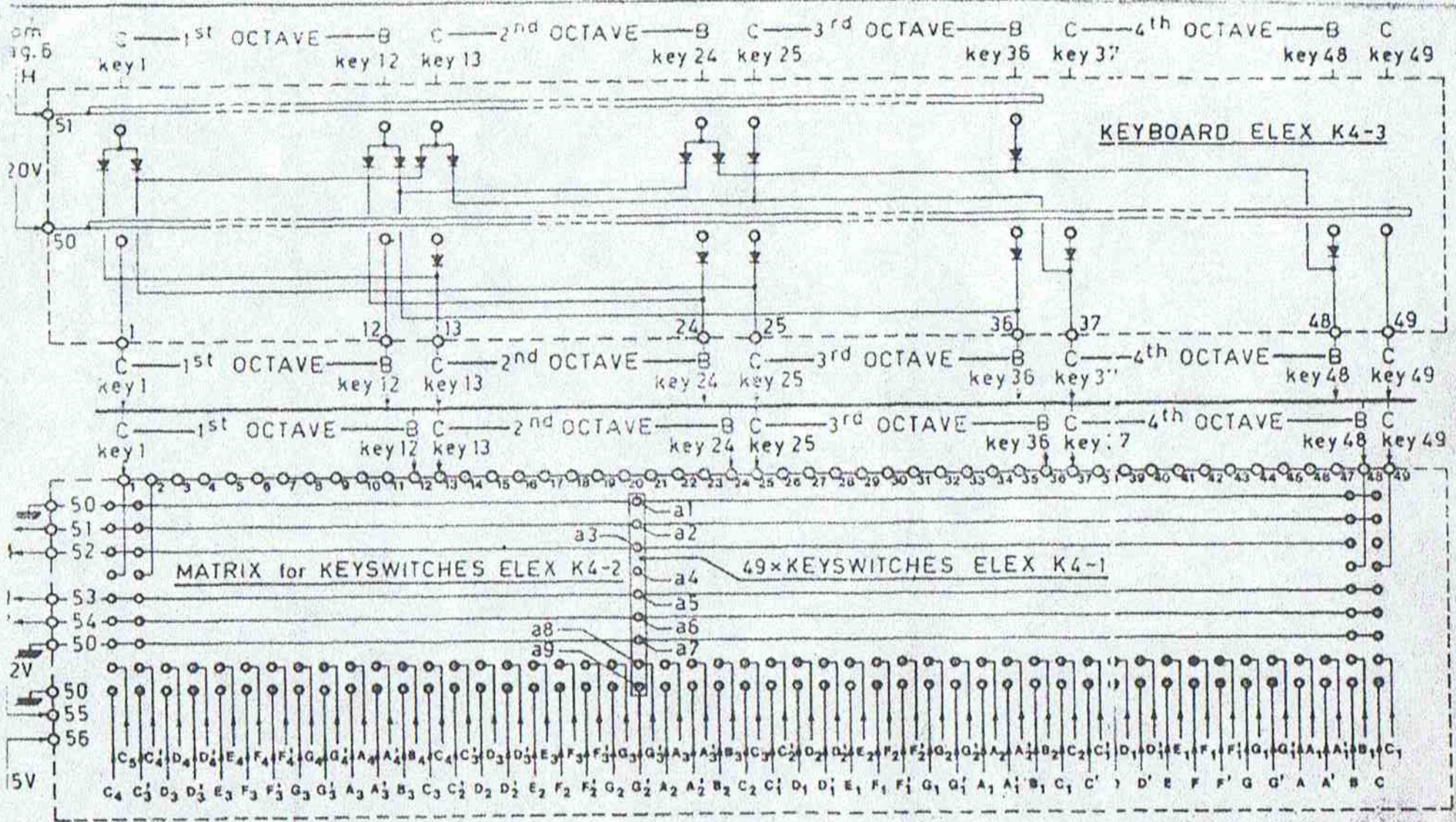


mod. K4	project: <i>W. M. ...</i>	checked <i>Blatroc...</i>
ELEX	des. <i>Blatroc...</i>	pag. 3



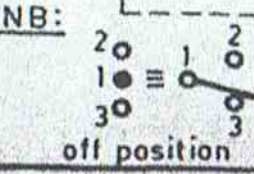
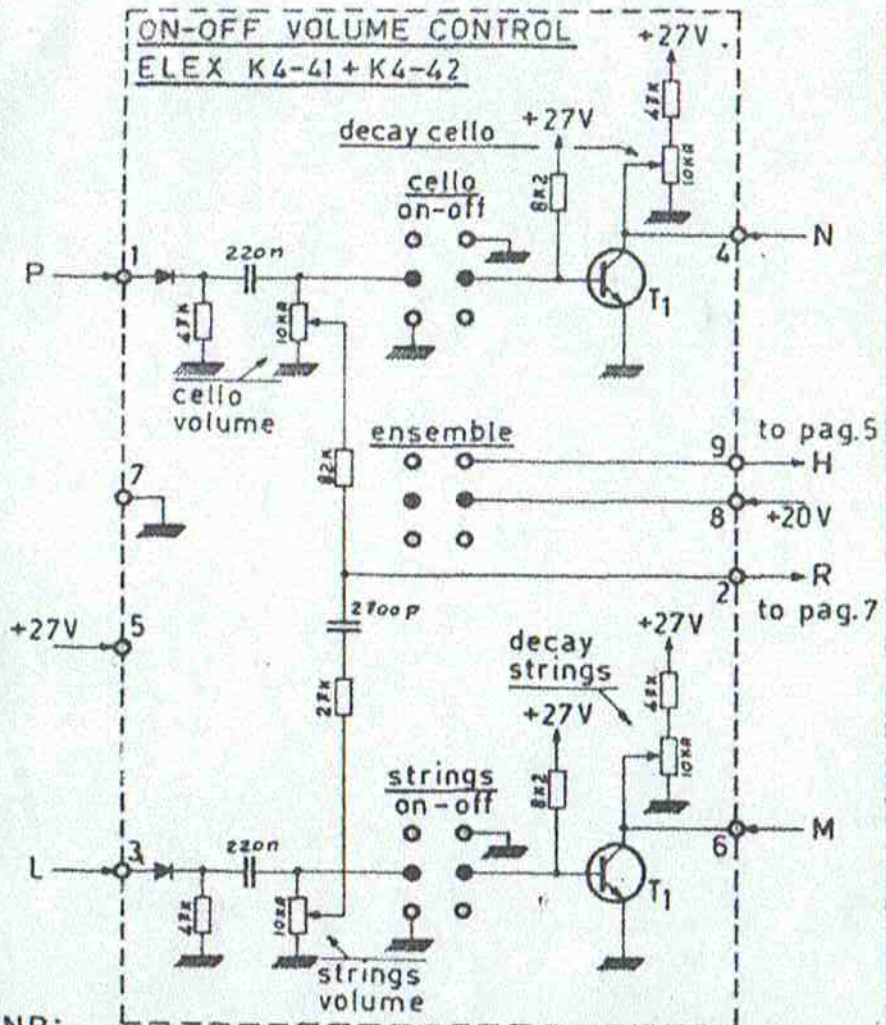
for key type	nF					KΩ	
	C	C3	C4	C5	C8	R1	R2
A	35	—	4,7	5,6	—	560	560
B	33	—	4,7	4,7	—	560	560
C	27	—	4,7	3,9	—	560	560
D	22	—	4,7	3,3	—	560	560
E	18	—	4,7	2,7	—	560	560
F	15	—	4,7	2,2	—	560	560
G	12	—	4,7	1,8	—	560	560
H	10	—	4,7	1,2	—	560	560
I	8,2	—	4,7	0,82	—	470	470
L	6,8	—	4,7	0,47	—	470	390
M	5,6	—	6,8	0,25	—	390	330
N	4,7	—	6,8	0,12	—	390	270
O	3,9	6,8	8,2	—	8,2	330	390
P	3,9	—	1	1	2,2	330	330
R	3,9	—	1	1	2,2	330	330
S	2,7	—	1	1	2,2	270	330
T	2,2	—	1	1	2,2	270	220
V	1,8	—	1	1	2,2	220	330



L-M-N-P → to pag.6

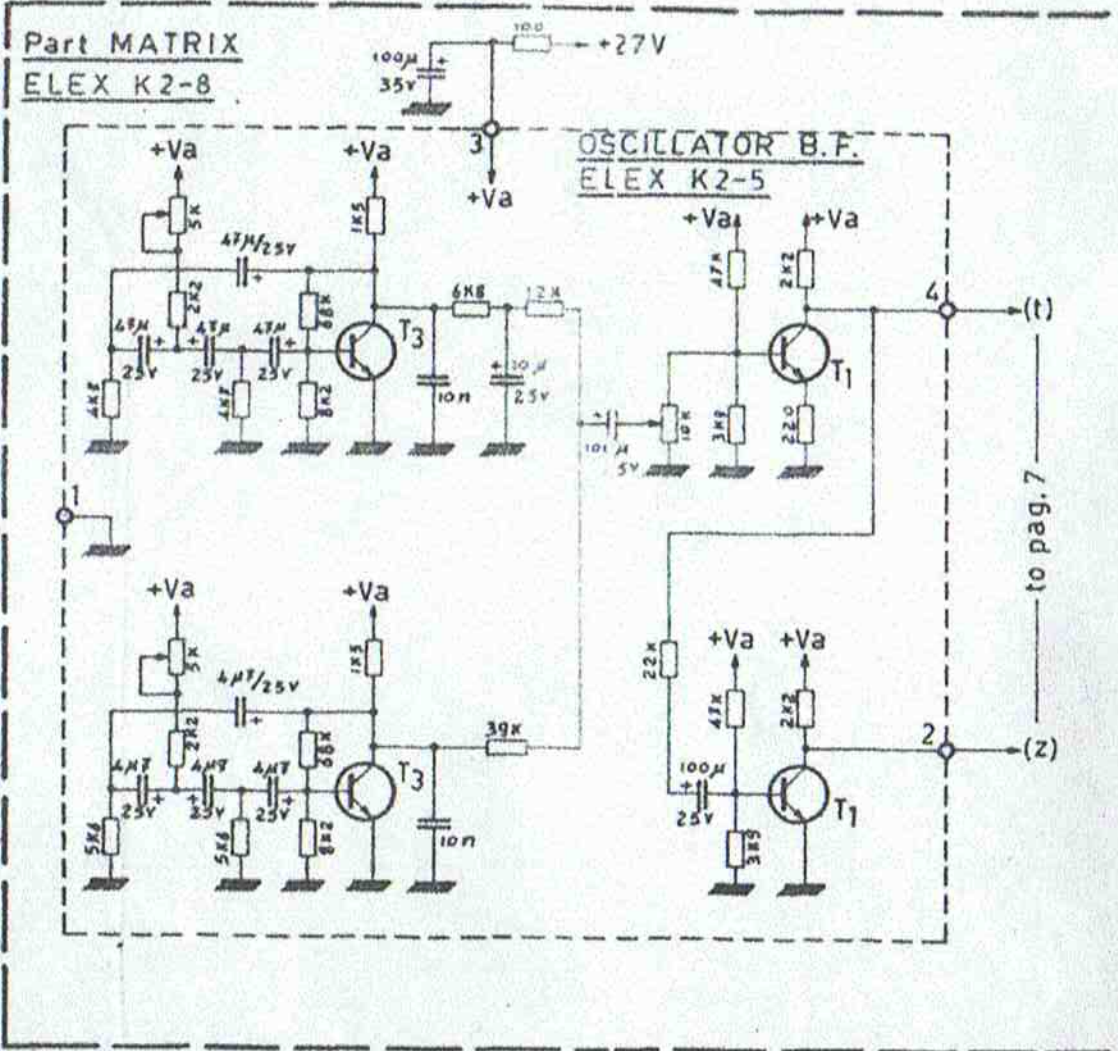
mod. K4	project: <i>Mexico</i>	checked: <i>Roberto</i>
ELEX	des: <i>Mexico</i>	pag. 5

ON-OFF VOLUME CONTROL
ELEX K4-41+K4-42



L-M-N-P → from pag. 5

Part MATRIX
ELEX K2-8



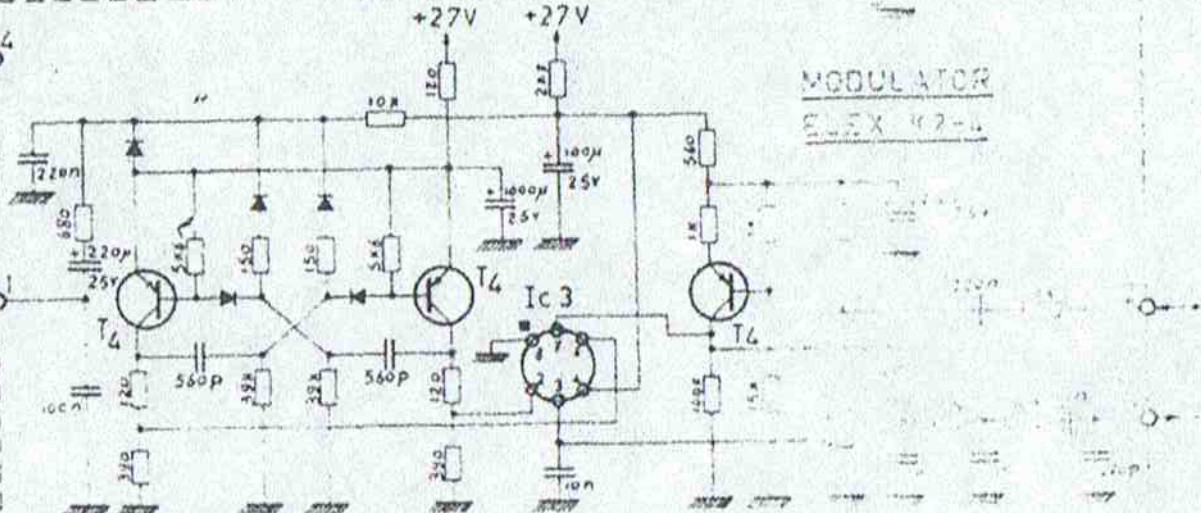
OSCILLATOR B.F.
ELEX K2-5

mod. K4	project: <i>Manfredi</i>	checked: <i>Matrocola</i>
ELEX	des. <i>Manfredi</i>	pag. 6

+27V

(z) from p.6

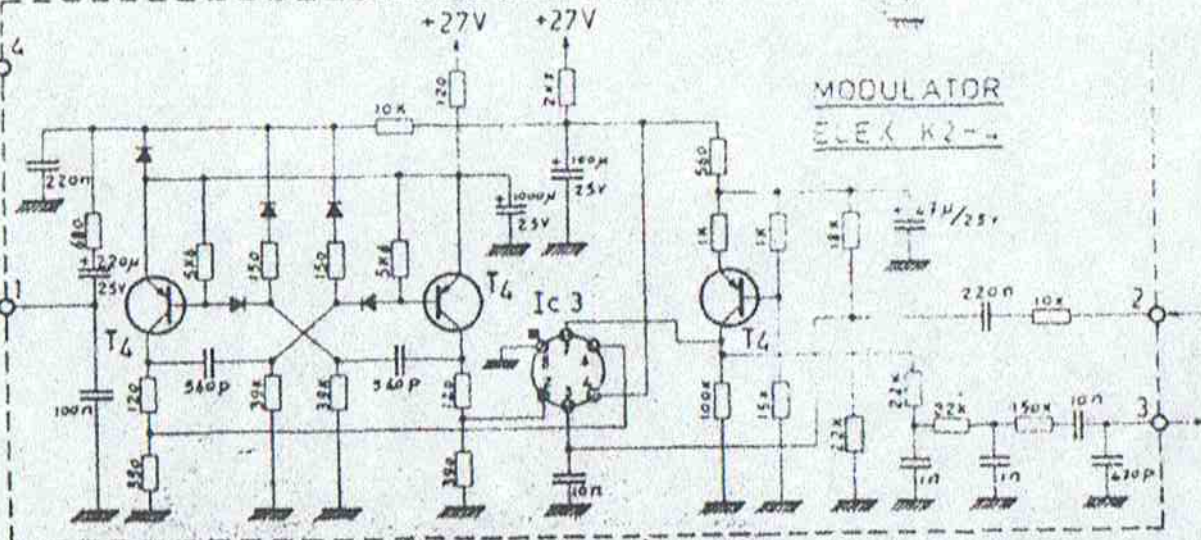
MODULATOR
ELEX K2-4



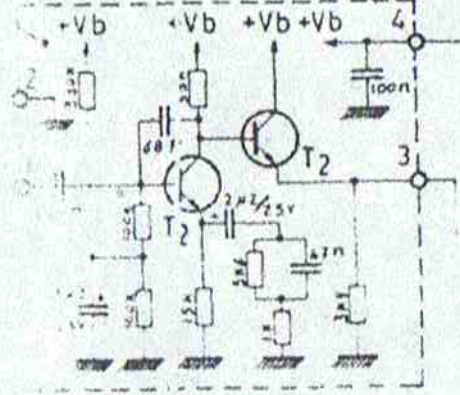
+27V

(t) from p.6

MODULATOR
ELEX K2-5



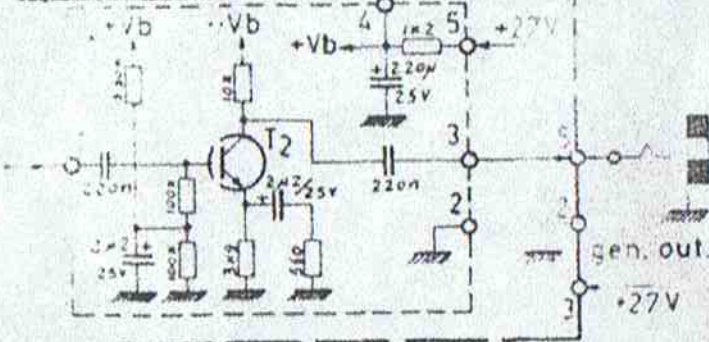
ELEX K2-6



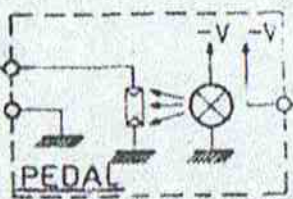
com
pag. 6

ELEX K2-8

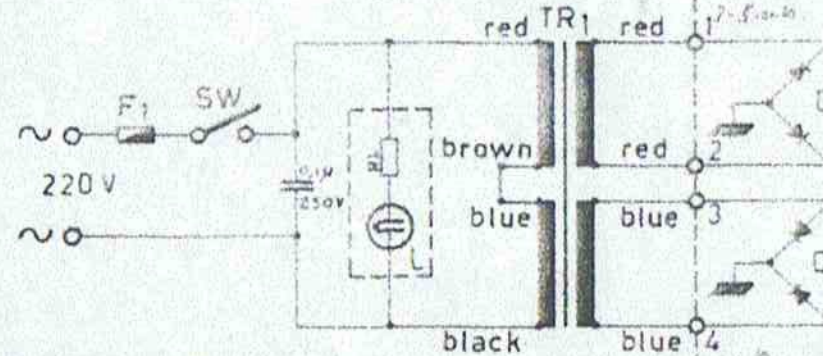
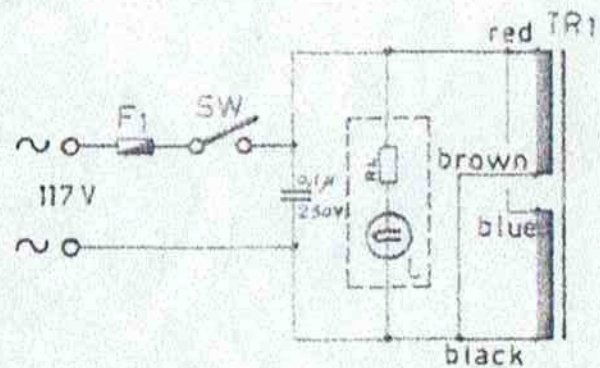
ELEX K2-7



gen. out.
+27V



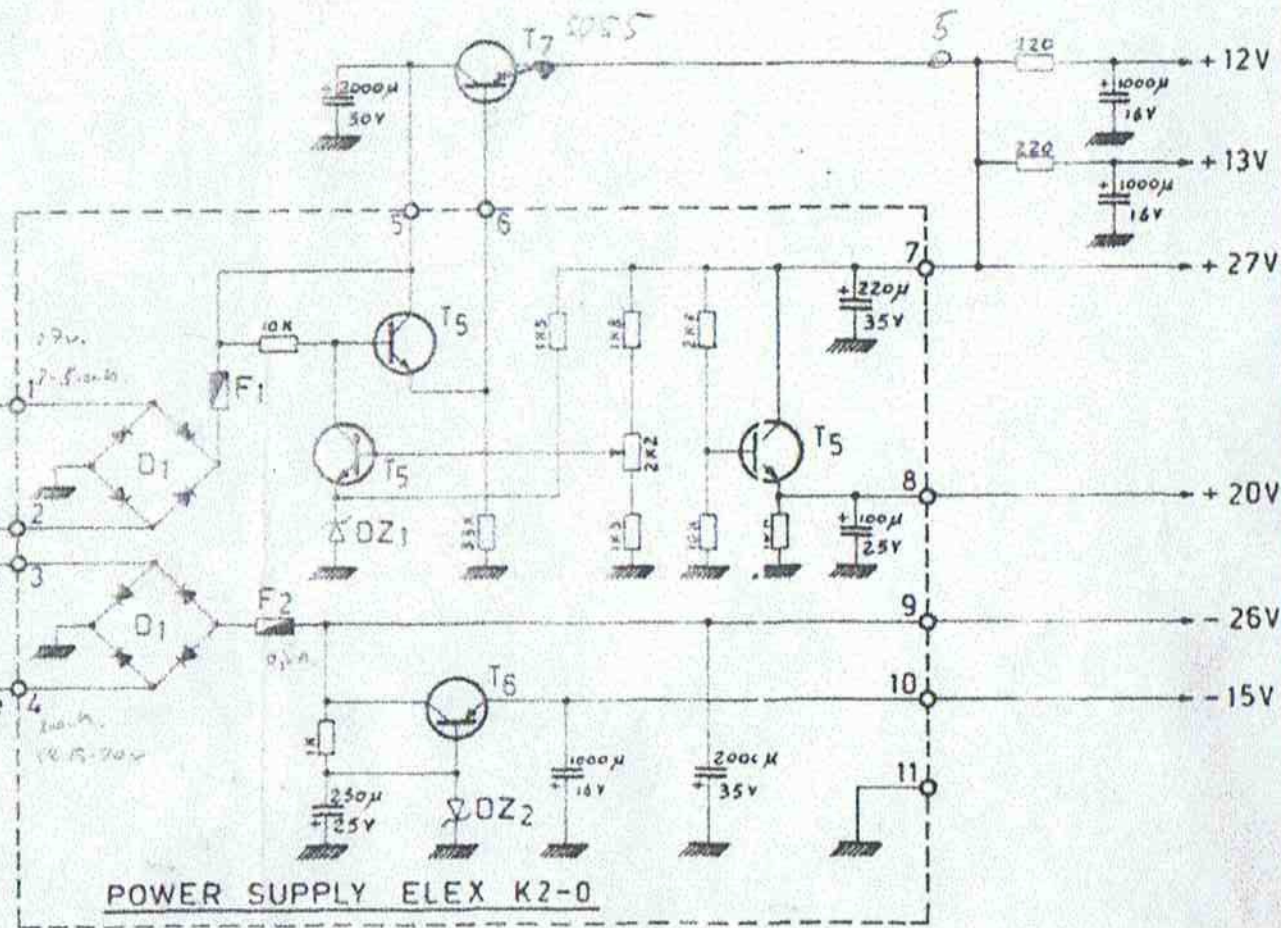
mod. K4	project: <i>[Signature]</i>	checked: <i>[Signature]</i>
ELEX	des: <i>[Signature]</i>	pag. 7



PIN	note	color code
1		black 0,35
2		" "
3		" "
4		" "
5		" "
6		" "
7	OUT	brown (shielded)
8		" "
9		" "
10	-15V	yellow 0,35
11	+12V	red "
12	+20V	blue "
13	+27V	orange "
14	pedal	red (shielded)
15		" "

SOCKET FOR
POWER SUPPLY

7	815
6	814
5	813
4	812
3	811
2	810
1	809
	808



mod. K4	project: Mafher	checked: Mastrocola
ELEX	des. Mafher	pag. 8

TMS 3848 = SAJ 180 = E 5002 PARTS LIST

IC₁ = Integrated circuit — AY-1-5050 G.E. — SAJ 180 Mistral
 IC₂ = " " — MK-50240 N MOSTEK
 IC₃ = " " — TCA 350 (TT)

L₁ = Induttance 160 μ H

T₁ = Transistor NPN — BC 170b - BC 183a - BC 208b - BC 239b
 T₂ = " NPN — BC 330 - T 413c
 T₃ = " NPN — BC 208c
 T₄ = " PNP — BC 251b
 T₅ = " NPN — BC 286b
 T₆ = " PNP — BC 160b
 T₇ = " NPN — 2N 3055

DZ₁ = Zener 11V 400 mW
 DZ₂ = " 15V 400 mW

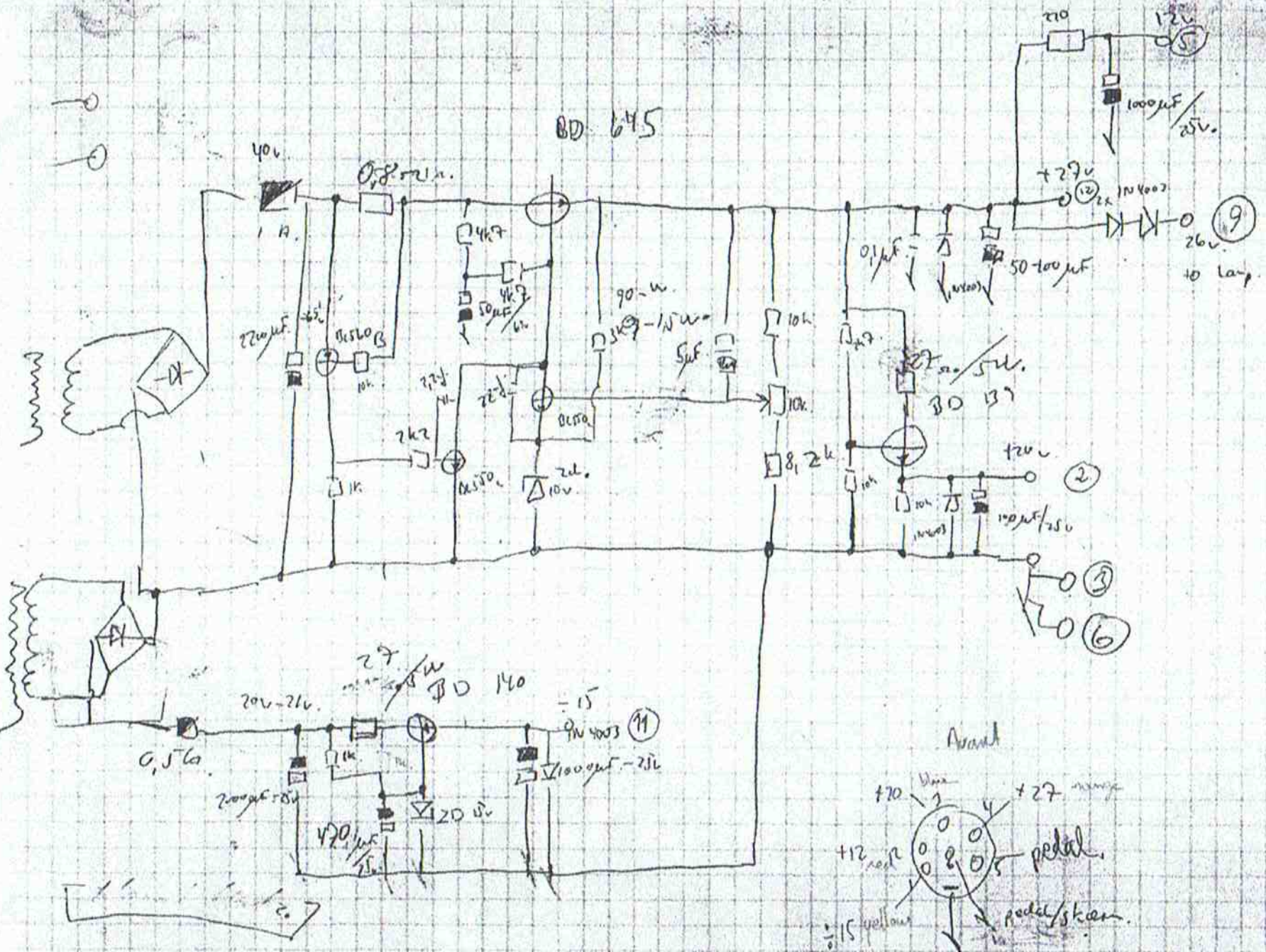
D₁ = Diodes 1N4002 - F12 (100V - 1A)
 All other diodes are D542 (Texas) or BA 130

F₁ = Fuse 1A — 225 V
 F₂ = " 0,5A — 225 V

TR₁ = Transformer ELEX EE 13
 SW = Switch 15A — 125 V
 L = Lamp Neon 220 V

All resistors $\frac{1}{2}$ W unless otherwise indicated
 All tabswitches shown in off position
 All keyswitches shown in off position

BD 645



Avant

